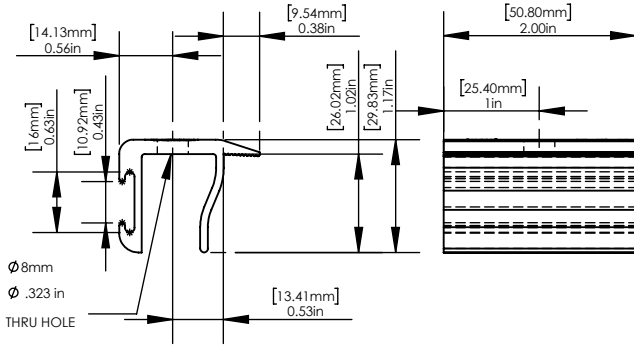
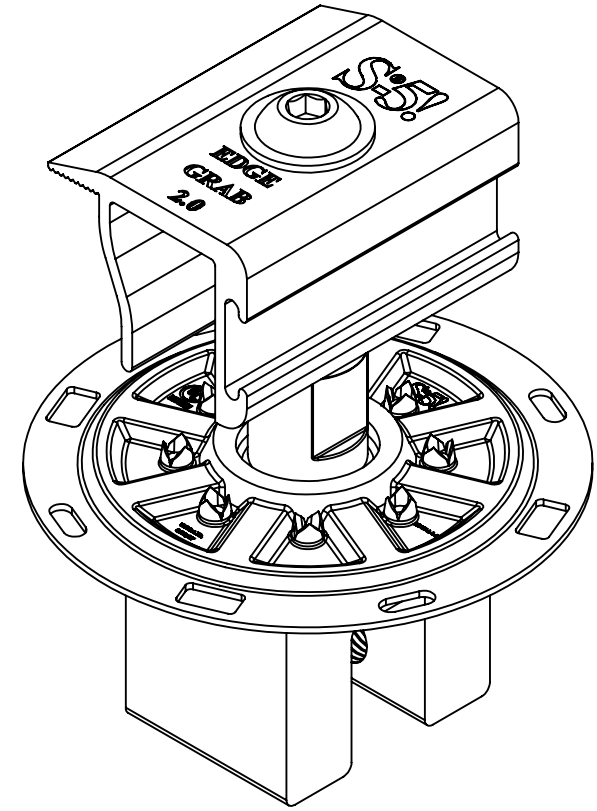
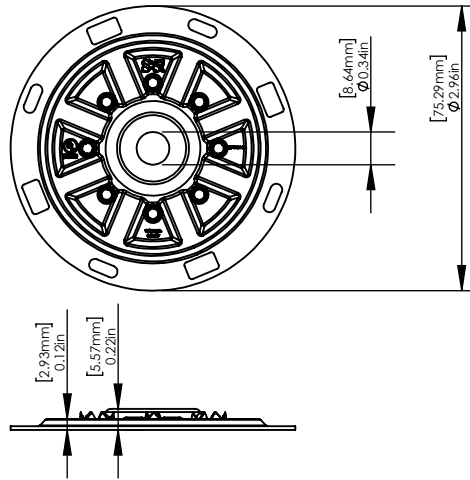


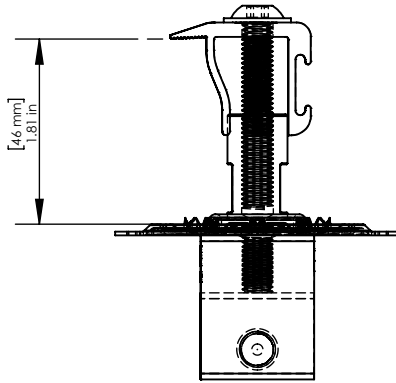
**PV 2.0 EdgeGrab**  
6000 SERIES ALUMINUM



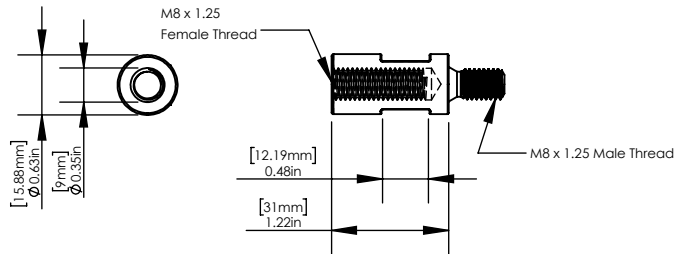
**PV Disk 2.0**  
300 SERIES STAINLESS



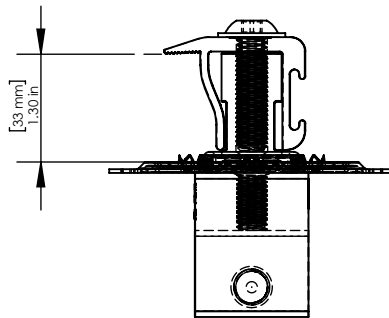
**EdgeGrab Ensemble MAX**



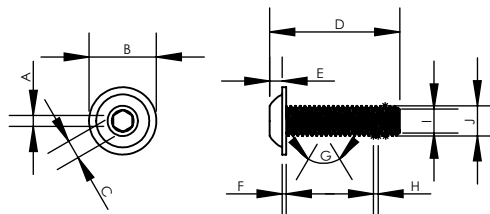
**Standoff**  
300 SERIES STAINLESS



**EdgeGrab Ensemble MIN**



**M8-1.25x26mm SS Tornillo cabeza de botón con brida**  
300 SERIES STAINLESS




A	B	C	D	E	F	G	H	I	J
2.89 mm .11 in	17.8 mm .70 in	5.0 mm .20 in	34.4 mm 1.35 in	3.30 mm .13 in	1.10 mm .04 in	61.1*	1.25 mm .05 in	6.38 mm .25 in	7.96 mm .31 in

SCALE 1:1

S-5! Abrazadera se vende por separada

**PARA INFORMACIÓN DE PRUEBA DE CARGA MECÁNICA ESPECÍFICA DE UNIÓN DE TECHO E INFORMACIÓN DE INSTALACIÓN DE LA ABRAZADERA VISITE WWW.S-5.COM**

MATERIAL:	 METAL ROOF INNOVATIONS, LTD. 8655 TABLE BUTTE RD COLORADO SPRINGS, CO 80908 719-495-0518 719-495-0045(FAX)		
EST PESO ENSAMBLE			
FERRETERÍA PROVEÍDA:	TITLE PV Kit 2.0 EdgeGrab		
SCALA : 1:2	DRAWING NO. PV2EO-A-0-A_PV2STO-A-303SS CCD	DRAWN BY Jesse Winternitz	DATE 5/22/2018
PESOS: Clamp: Setscrew: Bolt:	S-5!® PRODUCTS ARE PROTECTED BY MULTIPLE U.S. PATENTS INCLUDING 5,228,248, 5,983,588 AND 6,164,033 (OTHERS ISSUED AND PENDING). EUROPEAN PATENTS ARE ALSO APPLIED FOR AND PENDING UNDER THE PATENT COOPERATION TREATY WITH DIVISIONAL FILING RIGHTS RETAINED. METAL ROOF INNOVATIONS, LTD. (LICENSOR OF S-5!® TECHNOLOGY) AGGRESSIVELY PROSECUTES PATENT INFRINGEMENT.		